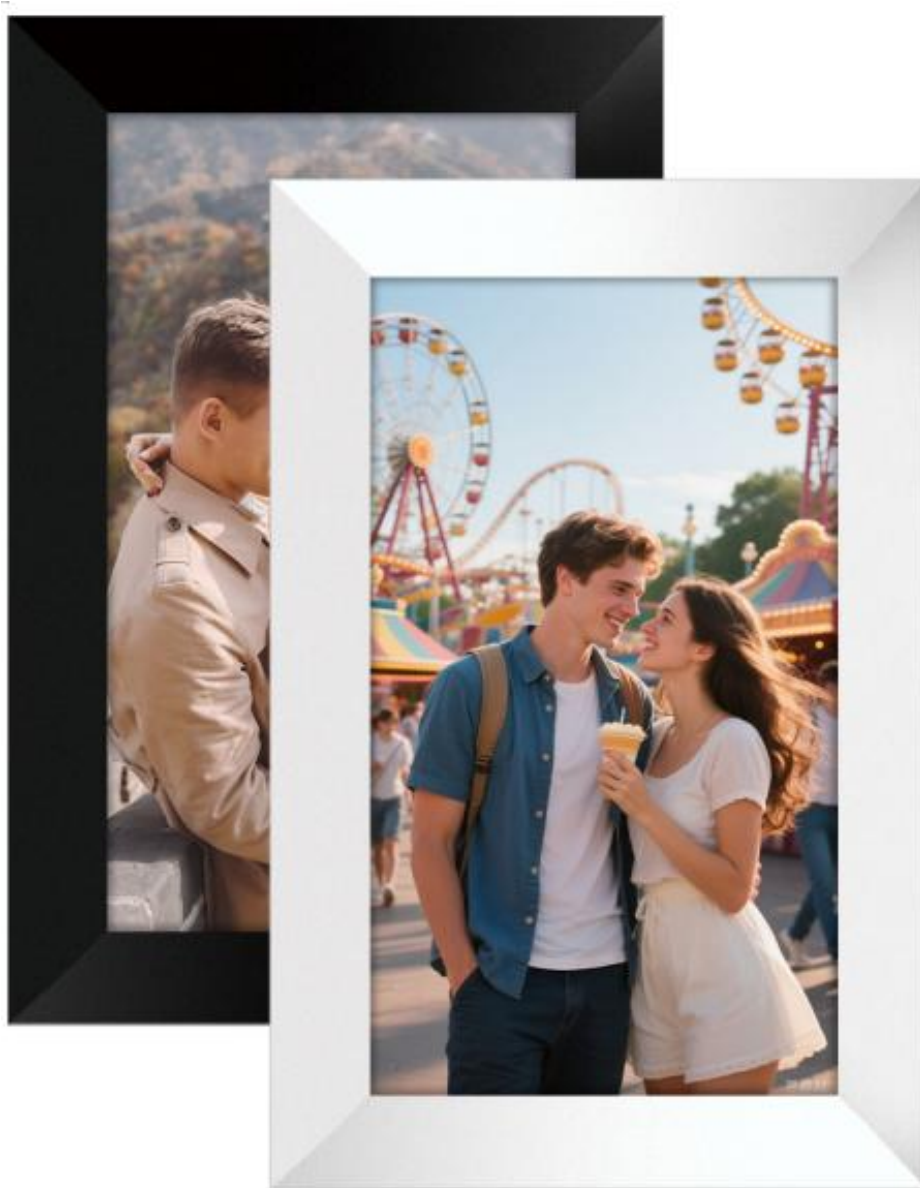


# Rovesky



**User Guide**-----page 3 to page 9

**First-Use-Guide** -----page 10

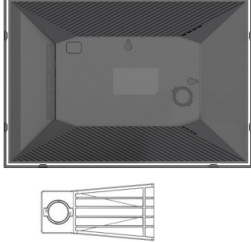
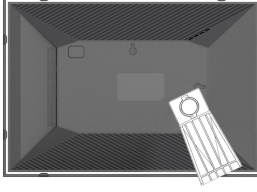
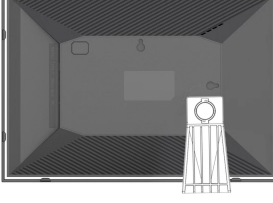
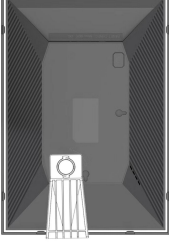
## Table of Contents

1、 Stand Installation .....	3
2、 Power Connection .....	3
3、 Language Selection/Switching .....	4
4、 Wi-Fi Connection .....	4
5、 Date and Time .....	5
6、 Uploading Pictures and Videos .....	6
7、 Friends send photos .....	8
8、 Photo Slideshow Duration Adjustment .....	8
9、 Volume and Brightness Adjustment .....	8
10、 Deleting and Hiding Photos .....	9
11、 Human Motion Detection (This function is only avai .....	9
12、 More Information .....	9

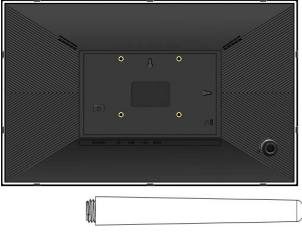
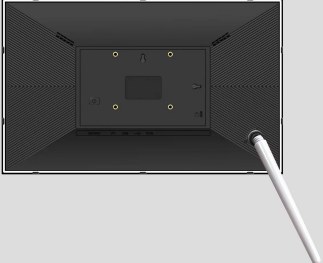
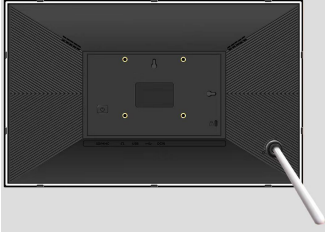
# Digital Photo Frame User Guide

## 1、 Stand Installation

Style 1:

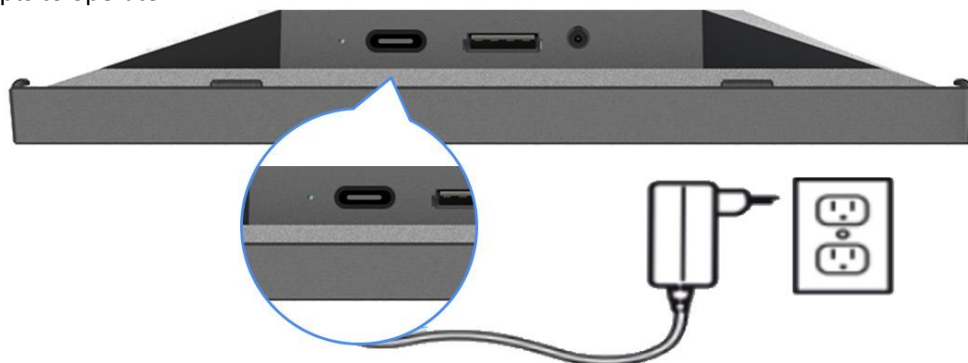
			
<p>Take out the photo frame and the stand</p>	<p>Align the stand with the mounting holes as shown in the picture above</p>	<p>Landscape orientation: Tighten the stand clockwise until it looks like the figure shown</p>	<p>Portrait orientation: Tighten the stand counterclockwise until it looks like the figure shown</p>

Style 2:

		
<p>Take out the photo frame and the stand</p>	<p>Align the stand with the mounting holes as shown in the picture above</p>	<p>Tighten the bracket clockwise.</p>

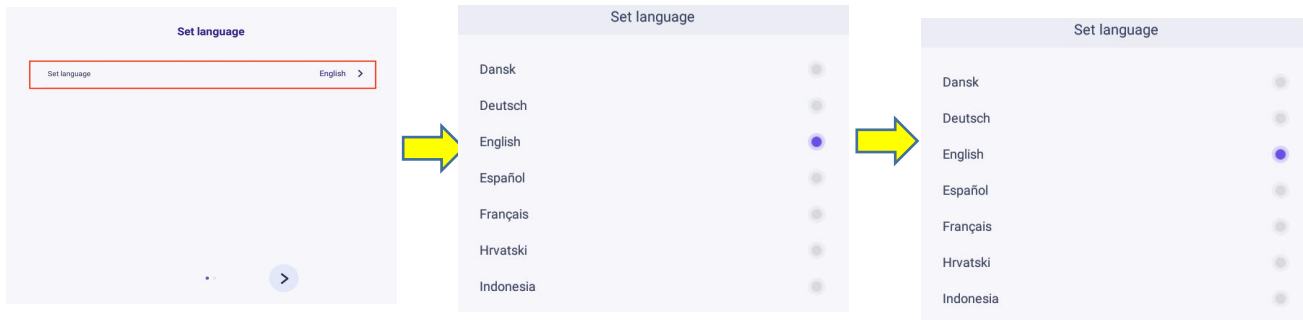
## 2、 Power Connection

Take out the power adapter from the package, connect one end of it to the TYPE-C interface of the photo frame, and plug the other end into a power socket. After power-on, the photo frame will turn on automatically. Wait for the system to start up completely, and then follow the prompts to operate.



### 3、 Language Selection/Switching

#### 3.1 Boot Guide Stage



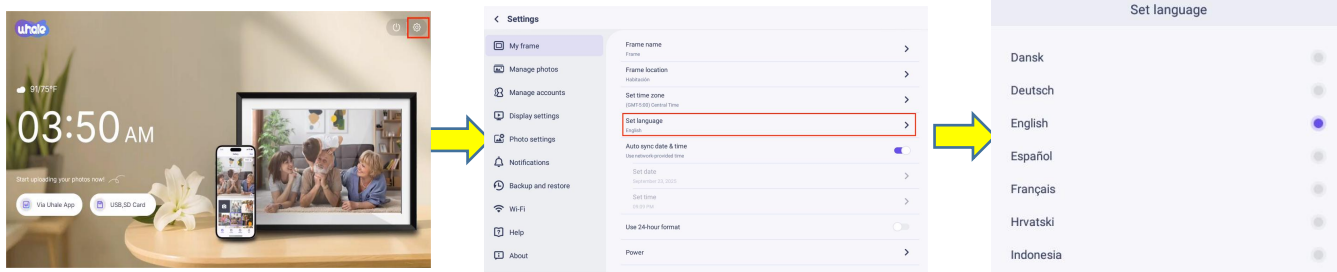
Click "English"

Scroll up and down

Switch to another language

#### 3.2 Switch language (when skipping the boot guide)

If you accidentally skip the boot guide or want to change the language, follow the steps below to switch the language:



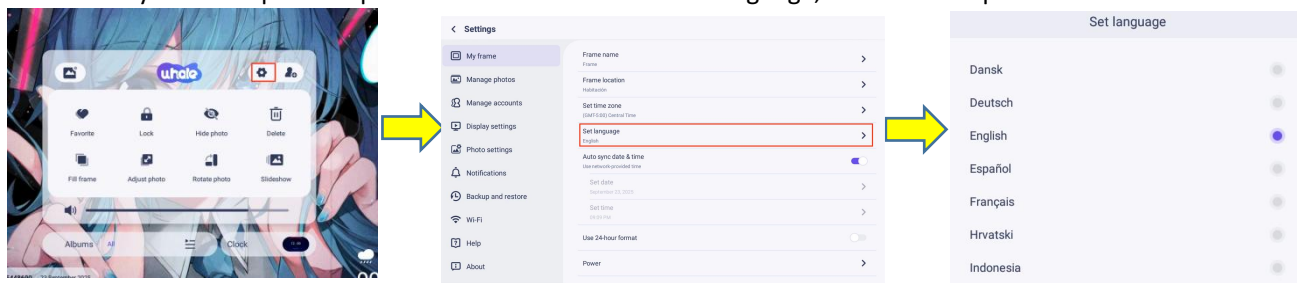
Click "Settings"

Click "Set Language"

Switch to another language

#### 3.3 Switch language (for daily use)

If you have uploaded photos and want to switch the language, follow the steps below:



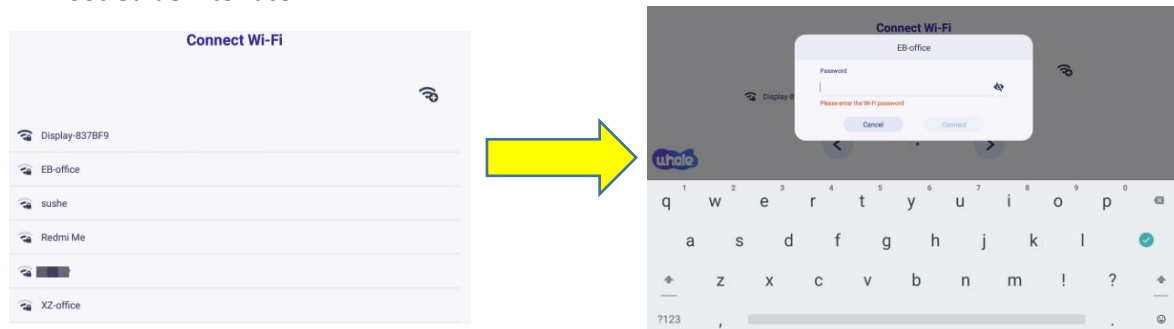
Tap the screen, Click "Settings"

Click "Set Language"

Scroll up and down, Switch to another language

### 4、 Wi-Fi Connection

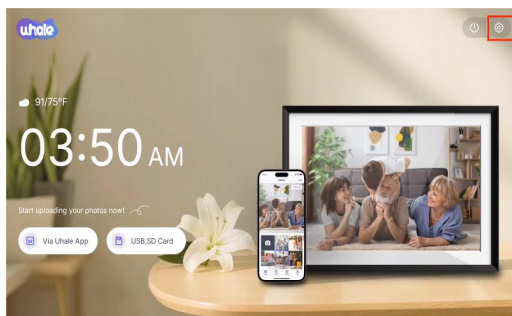
#### 4.1 Boot Guide Interface




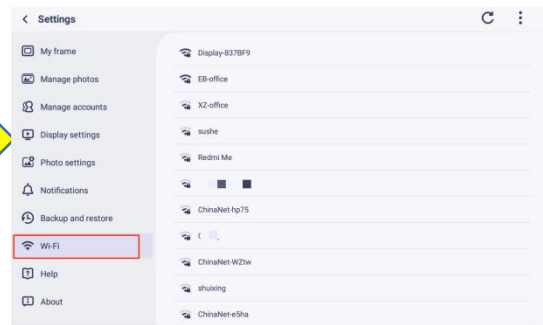
Select the Wi-Fi you want to connect to

Select the Wi-Fi and enter the password

## 4.2 Switch Wi-Fi (when skipping the startup wizard)



Click "Settings" 

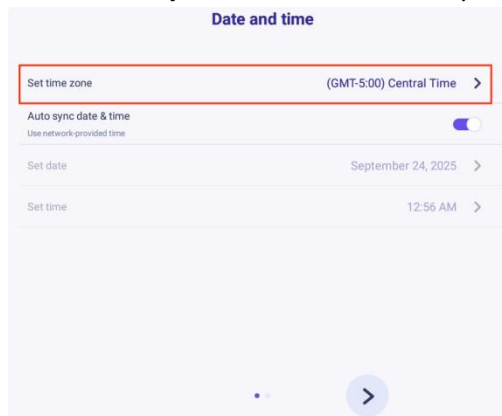


Click "Wi-Fi", Select the Wi-Fi you need to connect to and connect to it

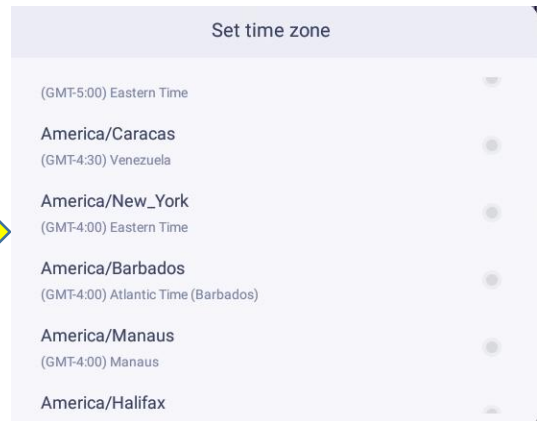
## 5、 Date and Time

### 5.1 Boot Guide Interface

Please adjust the date and time to your country's time zone.



Click "Set Time Zone"



Scroll up and down, Find the time zone of your country.

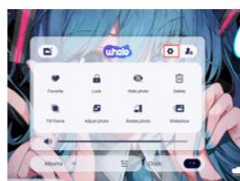
### 5.2 Switch the time zone (when skipping the startup setup wizard)


Click "Settings" 

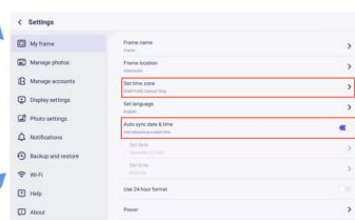
In the case of no photograph:



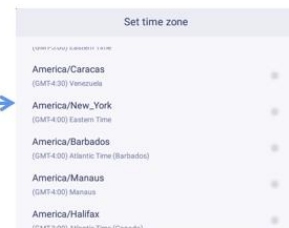
In the case of photographs:



Tap the screen, Click "Settings" 



After enabling 'Auto sync date & time', click on 'Set time zone'.



Scroll up and down, Find the timezone of your country.

## 6、 Uploading Pictures and Videos

### 6.1 APP Download and Installation

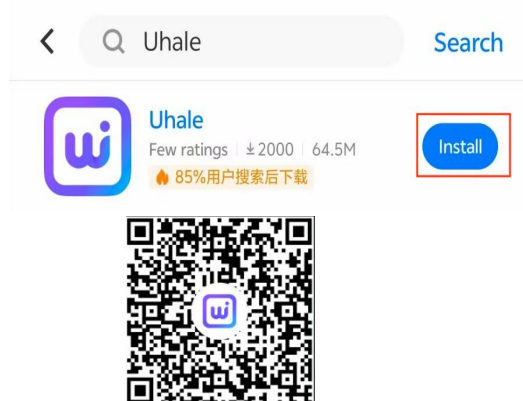
#### App Store Download:

**Android:** Search for "Uhale" in the mobile app store and click "Install"

**IOS:** Search for "Uhale" in the App Store and click "Install"

#### QR Code Download:

Scan the QR code on the right to download and install the APP.



### 6.2 Software Authorization

After opening the APP, agree to the "Personal Information Protection Agreement" and "Terms of Use", then grant the APP permissions for "Photos and Videos" and "Notifications".

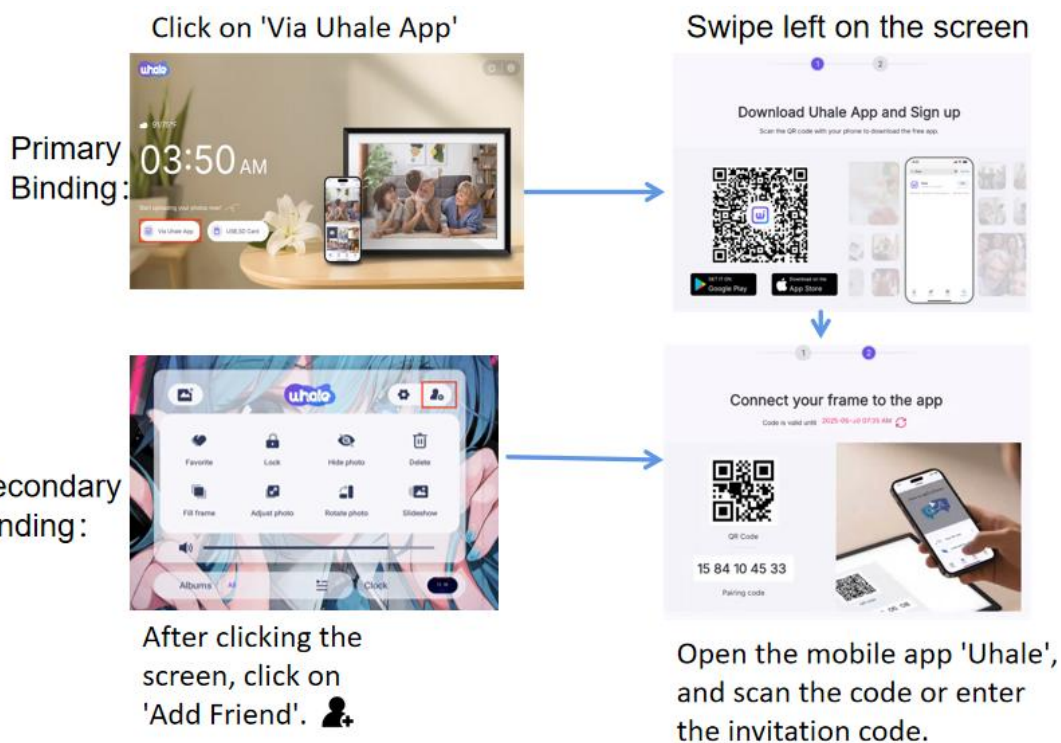
### 6.3 Uploading Photos/Videos

#### 6.3.1 Mobile Transfer

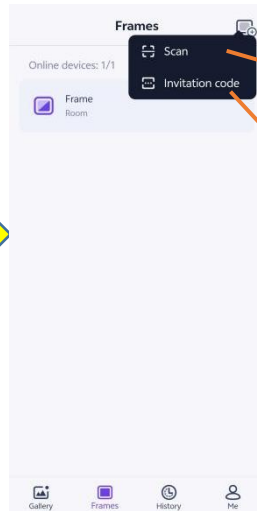
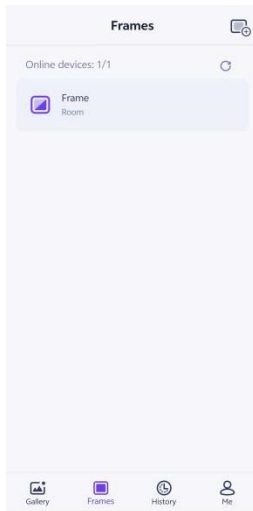
**Note:** Both the binding of the photo frame and the addition of friends require the photo frame to be connected to the Internet. You or others can upload photos/videos by following the steps below.

##### 6.3.1.1 Photo Frame Binding Stage

Operations on the photo frame:



Operations in the mobile APP "Uhale":



Method 1: Click "Scan", and scan the QR code on the photo frame

Method 2: Click "Invitation Code" and enter the invitation code on the photo frame

Open the mobile APP "Uhale"

Click the upper right corner

Click the "Photo Frame" option in the APP

### 6.3.1.3 Photo Upload

Operations in the mobile APP "Uhale":



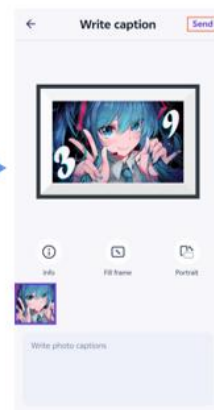
After clicking 'Gallery', click on 'Select Multiple'.



After selecting any photo of your choice, please click 'Next'

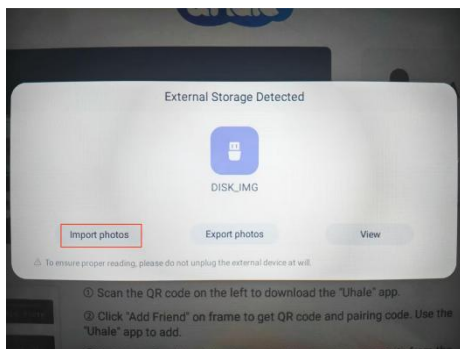


After selecting a powered-on photo frame, click 'Next'.

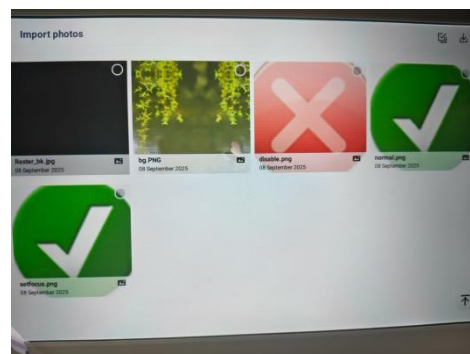


Click 'Send'

### 6.3.2 USB Flash Drive/SD Card Transfer

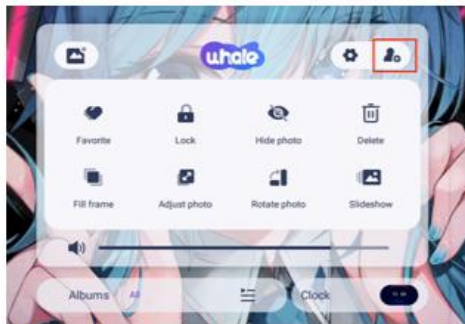


Insert the "SD Card" or "USB Flash Drive"  
Click "Import photos"

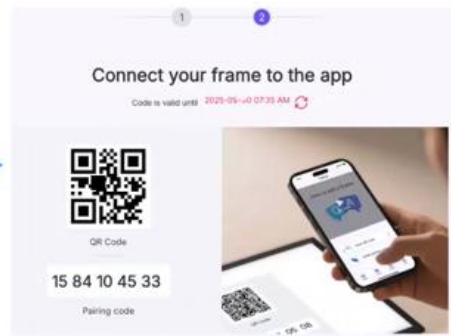


Click "Import Photos", Select any photos you like, Click on 'Download'

## 7、 Friends send photos



After clicking the screen, click on 'Add Friend'.



Open the mobile app 'Uhale', and scan the code or enter the invitation code.

Send the 'QR code image' or 'invitation code' to your friends, who can use 'Uhale' to add the frame; please refer to step 6 for detailed instructions.

## 8、 Photo Slideshow Duration Adjustment


Click "Settings" 

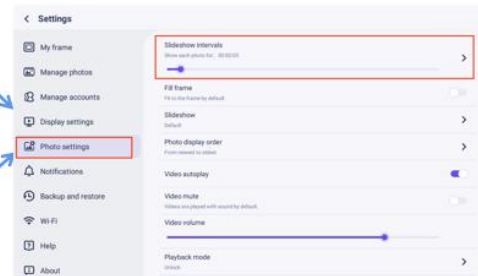
In the case of no photograph:



In the case of photographs:



Tap the screen, Click  "Settings"



Click on 'Photo Settings' and adjust the 'Slide Interval'.

## 9、 Volume and Brightness Adjustment

When playing photos/videos,

- on the left half of the photo frame screen:
  - Slide up to increase the brightness
  - Slide down to decrease the brightness
- On the right half of the photo frame screen:
  - Slide up to increase the volume
  - Slide down to decrease the volume

## 10、Deleting and Hiding Photos

When there are photos, tapping a photo will bring up the following options:

**Favorite:** Save the current photo or video as a favorite.

**Lock:** Fix and display the current photo/video.

**Hide Photo:** Hide the display of the current photo/video.

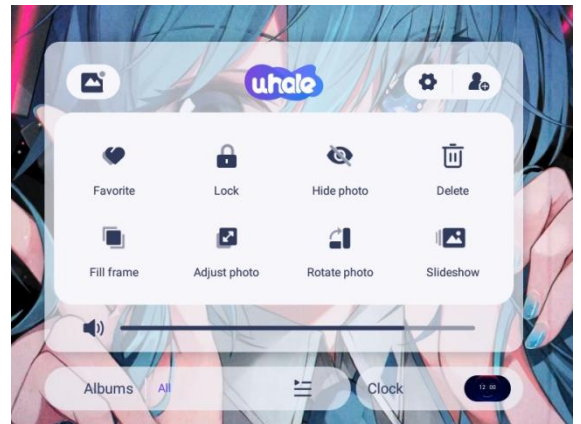
**Delete:** Delete the current photo/video.

**Fill Frame:** Enlarge the current photo to fit the frame proportionally.

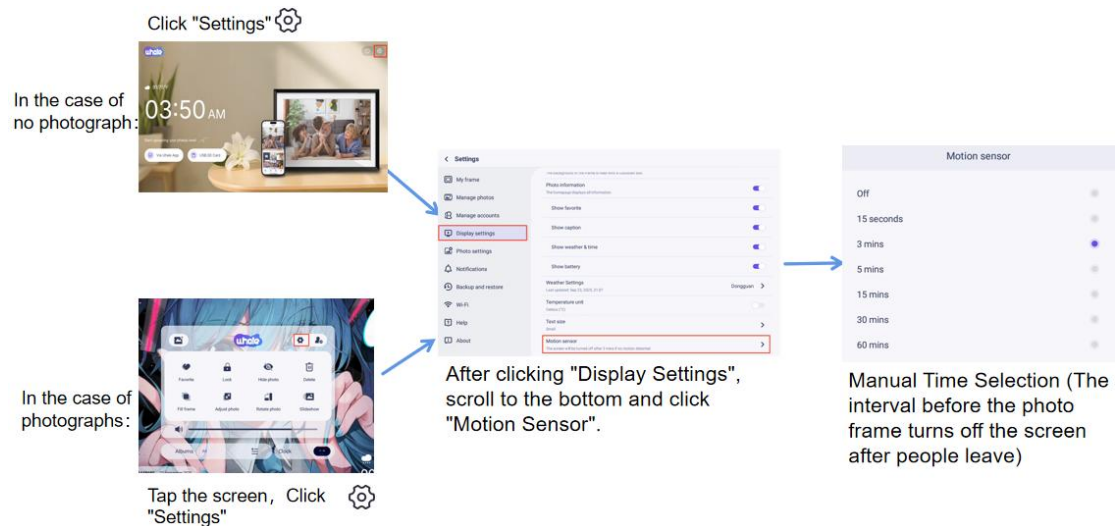
**Adjust Photo:** Adjust the photo up, down, left, and right to select the best display content. (Only effective in the Fill Frame mode)

**Rotate Photo:** Rotate the photo.

**SlideShow:** Set the photo playback effect; it will take effect immediately after selection. (Not applicable to videos)



## 11、Human Motion Detection (This function is only available for the battery-powered model)














## 12、More Information

For more usage details, scan the QR code below to visit the official website.



# Digital Photo Frame First-Time Use Guide

-  1. For the first use, it must be charged for 3 hours to fully activate the battery before use.  
 If not used for a long time, it needs to be charged for 2 hours and activated again before use.
  -  2. Short press the "Time" button to switch to the clock theme, and it can be used as an electronic alarm clock.
  -  Long press the "Weather" button to display the weather for a week.
  -  3. Swipe up or down on the right side — adjust the volume.
  -  4. Swipe up or down on the left side — adjust the screen brightness.
  -  5. Use two fingers — zoom in or out of the picture.
  -  6. Supports ultra-long videos, no subscription fee required.
  -  7. Recommended setting: Display Settings — Turn on Sleep Mode.
  -  8. Display Settings — Motion Sensor — Recommended setting: 10 minutes.
-  Note: Framed storage products cannot be resold after return.

**If there is any problem, please contact the seller immediately.**